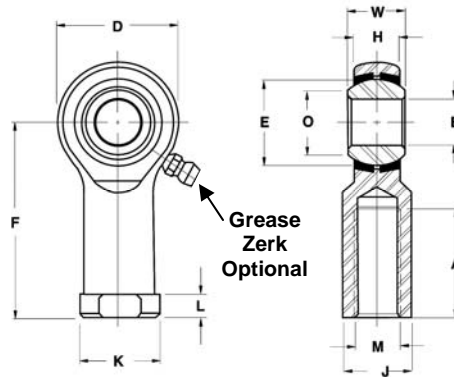


ISO 9001:2000	DIMENSIONS									LOAD RATING	WT.
Part Number	B	D	H	W	A	F	E	O	M	Static	lbs
	inch									Thread Size	
TM3	0.1900	0.625	0.250	0.312	0.562	1.062	0.437	0.306	0.190-32UNF	900	0.03
4	0.2500	0.750	0.281	0.375	0.750	1.312	0.515	0.353	0.250-28UNF	1700	0.05
5	0.3125	0.875	0.344	0.437	0.750	1.375	0.625	0.447	0.312-24UNF	2500	0.08
6	0.3750	1.000	0.406	0.500	0.937	1.625	0.718	0.516	0.375-24UNF	4000	0.12
TM7	0.4375	1.125	0.437	0.562	1.062	1.812	0.812	0.586	0.437-20UNF	5000	0.17
8	0.5000	1.312	0.500	0.625	1.187	2.125	0.937	0.698	0.500-20UNF	7000	0.26
10	0.6250	1.500	0.562	0.750	1.500	2.500	1.125	0.839	0.625-18UNF	8050	0.41
12	0.7500	1.750	0.687	0.875	1.750	2.875	1.312	0.978	0.750-16UNF	11300	0.64
TM3L	0.1900	0.625	0.250	0.312	0.562	1.062	0.437	0.306	0.190-32UNF	900	0.03
4L	0.2500	0.750	0.281	0.375	0.750	1.312	0.515	0.353	0.250-28UNF	1700	0.05
5L	0.3125	0.875	0.344	0.437	0.750	1.375	0.625	0.447	0.312-24UNF	2500	0.08
6L	0.3750	1.000	0.406	0.500	0.937	1.625	0.718	0.516	0.375-24UNF	4000	0.12
TM7L	0.4375	1.125	0.437	0.562	1.062	1.812	0.812	0.586	0.437-20UNF	5000	0.17
8L	0.5000	1.312	0.500	0.625	1.187	2.125	0.937	0.698	0.500-20UNF	7000	0.26
10L	0.6250	1.500	0.562	0.750	1.500	2.500	1.125	0.839	0.625-18UNF	8050	0.41
12L	0.7500	1.750	0.687	0.875	1.750	2.875	1.312	0.978	0.750-16UNF	11300	0.64

GIVE US A CALL; WE CAN ASSIST YOU WITH QUOTES, SAMPLES, AND/OR QUESTIONS



ISO 9001:2000	DIMENSIONS												LOAD RATING	WT.
Part Number	B	D	H	W	A	F	E	O	J	K	L	M	Static	lbs
	inch											Thread Size	Cor (lb)	
TF3	0.1900	0.625	0.250	0.312	0.562	1.062	0.437	0.306	0.312	0.406	0.187	0.190-32UNF	1850	0.03
4	0.2500	0.750	0.281	0.375	0.750	1.312	0.515	0.353	0.375	0.468	0.187	0.250-28UNF	2700	0.05
5	0.3125	0.875	0.344	0.437	0.750	1.375	0.625	0.447	0.437	0.500	0.187	0.312-24UNF	3350	0.08
6	0.3750	1.000	0.406	0.500	0.937	1.625	0.718	0.516	0.562	0.687	0.250	0.375-24UNF	4450	0.12
TF7	0.4375	1.125	0.437	0.562	1.062	1.812	0.812	0.586	0.625	0.750	0.250	0.437-20UNF	5350	0.17
8	0.5000	1.312	0.500	0.625	1.187	2.125	0.937	0.698	0.750	0.875	0.250	0.500-20UNF	7400	0.26
10	0.6250	1.500	0.562	0.750	1.500	2.500	1.125	0.839	0.875	1.000	0.312	0.625-18UNF	8050	0.41
12	0.7500	1.750	0.687	0.875	1.750	2.875	1.312	0.978	1.000	1.125	0.312	0.750-16UNF	11300	0.64
TF3L	0.1900	0.625	0.250	0.312	0.562	1.062	0.437	0.306	0.312	0.406	0.187	0.190-32UNF	1850	0.03
4L	0.2500	0.750	0.281	0.375	0.750	1.312	0.515	0.353	0.375	0.468	0.187	0.250-28UNF	2700	0.05
5L	0.3125	0.875	0.344	0.437	0.750	1.375	0.625	0.447	0.437	0.500	0.187	0.312-24UNF	3350	0.08
6L	0.3750	1.000	0.406	0.500	0.937	1.625	0.718	0.516	0.562	0.687	0.250	0.375-24UNF	4450	0.12
TF7L	0.4375	1.125	0.437	0.562	1.062	1.812	0.812	0.586	0.625	0.750	0.250	0.437-20UNF	5350	0.17
8L	0.5000	1.312	0.500	0.625	1.187	2.125	0.937	0.698	0.750	0.875	0.250	0.500-20UNF	7400	0.26
10L	0.6250	1.500	0.562	0.750	1.500	2.500	1.125	0.839	0.875	1.000	0.312	0.625-18UNF	8050	0.41
12L	0.7500	1.750	0.687	0.875	1.750	2.875	1.312	0.978	1.000	1.125	0.312	0.750-16UNF	11300	0.64

FIT STRIVES FOR LONG-TERM, WIN-WIN BUSINESS RELATIONSHIPS